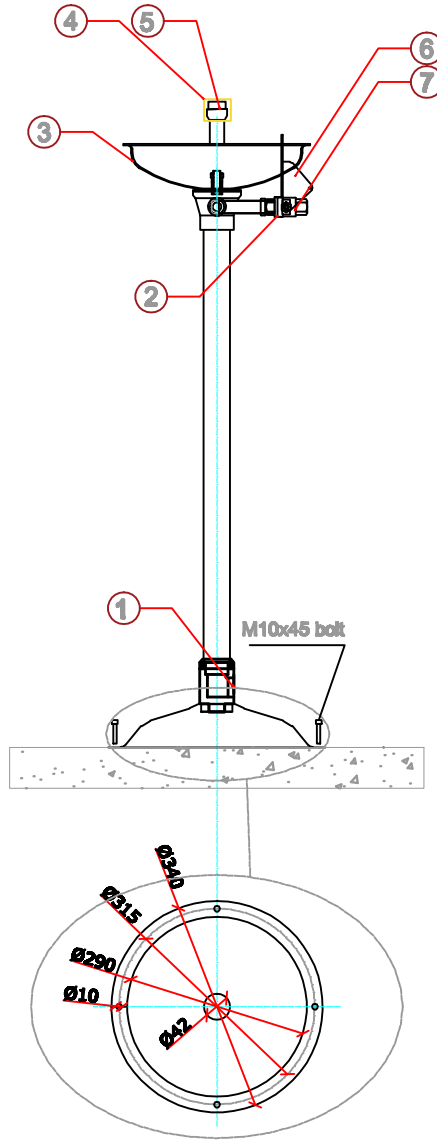


АВАРИЙНЫЙ ФОНТАН ДЛЯ ГЛАЗ С КРЕПЛЕНИЕМ НА ПЬЕДЕСТАЛЕ  
 НЕРЖАВЕЮЩАЯ СТАЛЬ

**15013000**



Standarts: EN 15154-2  
 Water Flow: 11,5 l/ min for Eyewash  
 Total Weight:9,95 kgs  
 Packed Dimensions: 81 x32 x 22 cm

Static test pressure : 7 bar  
 Min using pressure : 1,4 bar  
 Max using pressure : 2,8 bar

NO.	DESCRIPTION	NOTES
7	Water Inlet 1/2"	
6	Push Handle Control for Eyewash	
5	Spray Nozzles	
4	Dust Cover on Eyewash Spray	
3	Eyewash Bowl	
2	1/2" Ball Valve	
1	Water Outlet 1 1/4" (Female)	

						CUSTOMER	
A		FIRST ISSUE		88	FA	ST	
REV.	DATE	DESCRIPTION		DESIGNED	CHECKED	APPROVED	
						PRODUCT	
STATUS FOR INFORMATION <input type="checkbox"/> FOR RFO/DESIGN <input checked="" type="checkbox"/> FOR REVIEW <input type="checkbox"/> FOR APPROVAL <input type="checkbox"/>		ORIGINAL EDITION DESIGNED <input checked="" type="checkbox"/> 88 CHECKED <input checked="" type="checkbox"/> FA APPROVED <input checked="" type="checkbox"/> ST		SIZE	SCALE	15013000	
				DRAWING NUMBER/DATE:		SHEET:	DRAWING NAME:
				412/16-2		1	Напольный аварийный фонтан для глаз
						OF:	
						1	